



SUBMITTAL DATA

JOB/CUSTOMER:	SUBMITTED BY:
ENGINEER:	APPROVED BY:
CONTRACTOR:	ORDER NO:
SPECIFICATION REFERENCE:	



OPTIONAL ACCESSORIES

- Hardwired LED Button
- Hardwired Rocker Switch
- Hardwired Motion Sensor
- Bluetooth Wireless Transmitter Kit
- Bluetooth Wireless Motion Sensor
- Under Sink Mounting Kit (For Systems w/o Return Lines)

INCLUDES

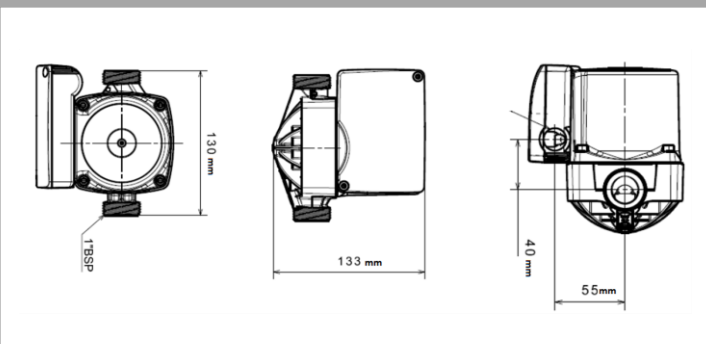
The Original D'MAND KONTROLS® System Standard package comes with:

(1) ACT1 Control Box	(2) Stainless Steel Unions	(1) Hardwired LED Button
(1) ACT1 Pump	(1) Integrated Check Valve	
	(1) Temperature Sensor	

TECHNICAL DATA

FLOW RANGE: 0-15 GPM	MAX. WORKING PRESSURE: 145 PSI
HEAD RANGE: 0-24 Ft.	CONNECTORS: 1" BSP Union x 3/4" MIP
MOTORS: 2-POLE SINGLE PHASE	RPM/HP: 3450 RPM/.17HP
MIN. FLUID TEMPERATURE: 36°F	VOLTAGE (max. spd.): 115V/125 watts/1 Amp
MAX. FLUID TEMPERATURE: 150°F	APPROX SHIP WEIGHT: 8.2LBS

DIMENSIONS



PERFORMANCE CHART

