



SUBMITTAL DATA

JOB/CUSTOMER:	SUBMITTED BY:
ENGINEER:	APPROVED BY:
CONTRACTOR:	ORDER NO:
SPECIFICATION REFERENCE:	



OPTIONAL ACCESSORIES

- Hardwired LED Button
- Hardwired Rocker Switch
- Bluetooth Wireless Transmitter
- Bluetooth Wireless Motion Sensor
- Bluetooth Repeater
- Under Sink Mounting Kit  
(For Systems w/o Return Lines)

INCLUDES

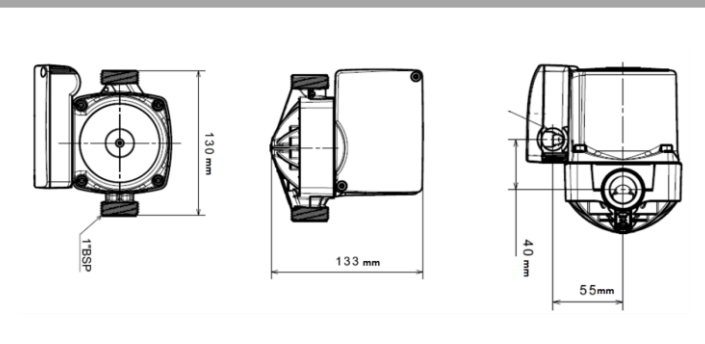
**The Original D'MAND KONTROLS® System** Standard package comes with:

- |   |                                   |                                      |
|---|-----------------------------------|--------------------------------------|
| (1) Control Box Black w/ power cord, activation wires | (2) Stainless Steel Unions        | (2) Bluetooth Receiver               |
| (1) ACT1 Pump   | (1) Integrated Check Valve        | (1) Bluetooth Wireless Motion Sensor |
|   | (1) Integrated Temperature Sensor | (1) Hardwired LED Button             |

TECHNICAL DATA

FLOW RANGE: 0-15 GPM	MAX. WORKING PRESSURE: 145 PSI
HEAD RANGE: 0-24 Ft.	CONNECTORS: 1" BSP Union x 3/4" MIP
MOTORS: 2-POLE SINGLE PHASE	RPM/HP: 3450 RPM/.17HP
MIN. FLUID TEMPERATURE: 36°F	VOLTAGE (max. spd.): 115V/125 watts/1 Amp
MAX. FLUID TEMPERATURE: 150°F	APPROX SHIP WEIGHT: 8.2LBS

DIMENSIONS



PERFORMANCE CHART

