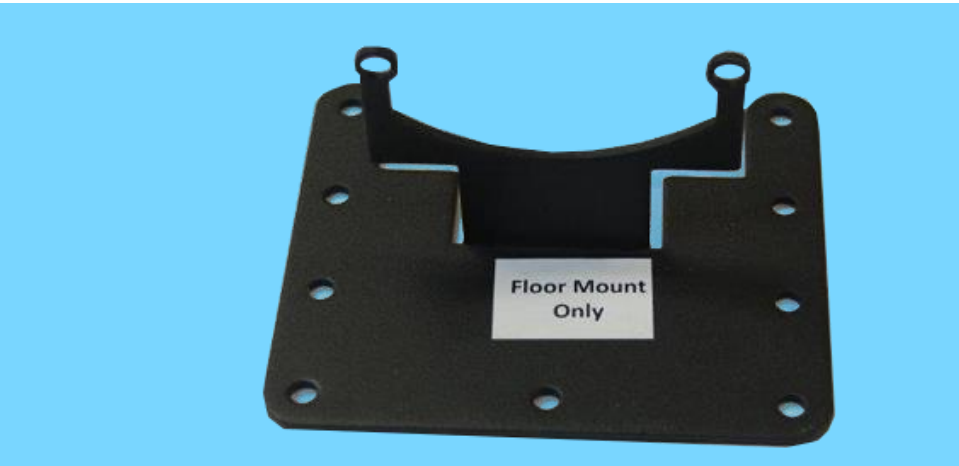




SUBMITTAL DATA

JOB/CUSTOMER:	SUBMITTED BY:
ENGINEER:	APPROVED BY:
CONTRACTOR:	ORDER NO:
SPECIFICATION REFERENCE:	



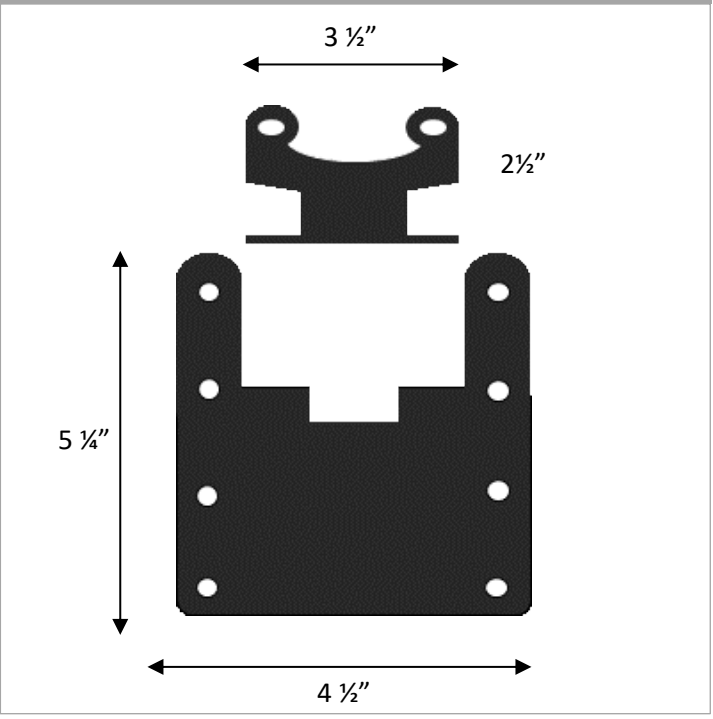
DESCRIPTION

This MB-BR-LRG is designed to mount the SS3-200 to a horizontal surface with screw type fasteners. The Bracket is made from steel stock and is easily mounted to the base of the ACT D'MAND Kontrols® System. The compact design allows for the installation in a variety of applications.

INCLUDES

*The Original D'MAND KONTROLS® System* Standard package comes with:  
 (1) Large Mounting Bracket (1) Mounting Bracket Instructions

DIMENSIONS



APPLICATIONS

Mounting Brackets are compatible with ACT, Inc. D'MAND Kontrols® Systems: SS3-200.

NOT COMPATIBLE with ACT, Inc. D'MAND Kontrols® Systems: ACT1, C3-100 and S3-100.

These are for INDOOR USE ONLY and cannot be used in areas that may have direct exposure to water or extreme heat.

WARRANTY

Accessories: Hardwired Buttons, Wireless Transmitters and Receivers, all Hardwired or Wireless Motion Sensors and Receivers: Warranty (One Year from date of purchase) Labor is not included with Limited Warranty. In order to obtain services under this warranty, it is the responsibility of the purchaser to promptly notify the Company in writing and promptly deliver the item in question, delivery prepaid to the factory. The address for notification and delivery is ACT, Inc. D'MAND KONTROL® Systems, 3176 Pullman Street, Suite 119, Costa Mesa CA 92626. If the product or part in question contains no defects as covered in the warranty, the purchaser will be notified and billed for parts and labor charges in effect at the time of the factory examination and repair.