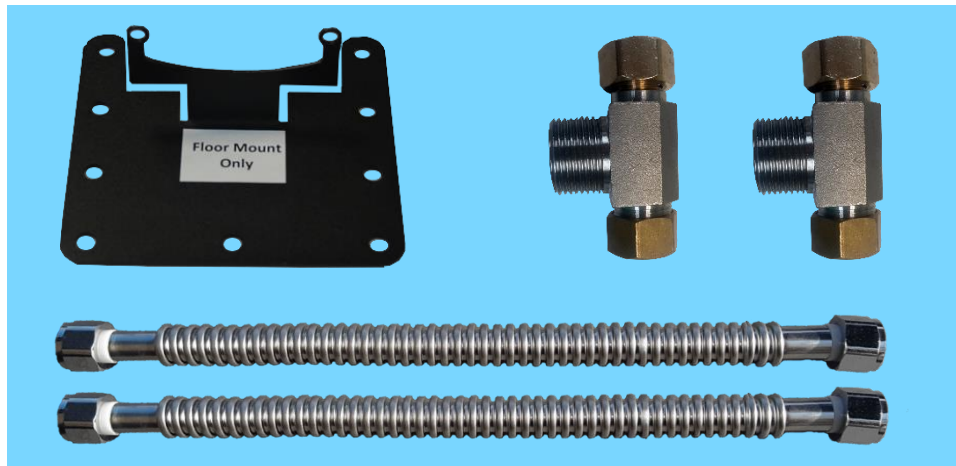




SUBMITTAL DATA

JOB/CUSTOMER:	SUBMITTED BY:
ENGINEER:	APPROVED BY:
CONTRACTOR:	ORDER NO:
SPECIFICATION REFERENCE:	



DESCRIPTION

The PF KIT-S is designed to install your ACT Inc., D'MAND Kontrols® System under a common kitchen or bathroom sink horizontally.

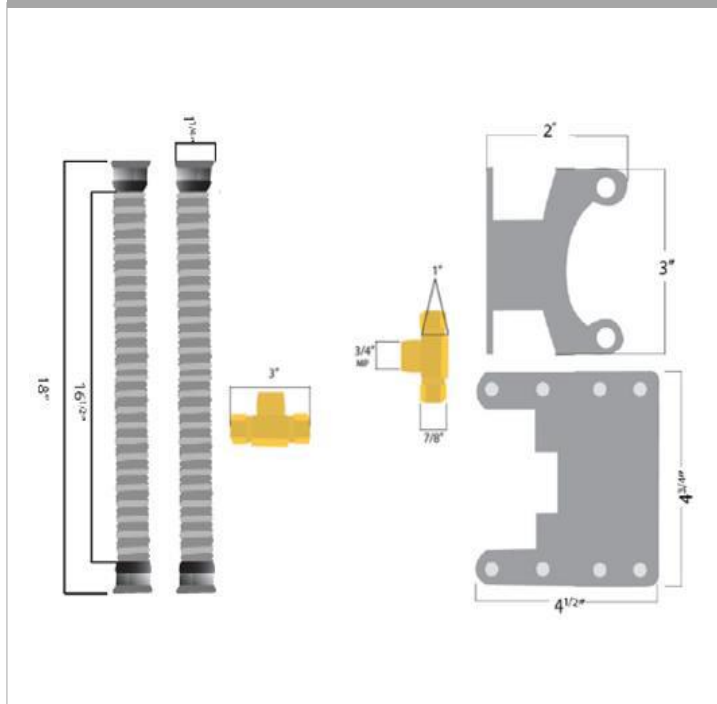
The solder free custom Stainless Steel Tees allow simple installation behind sink angle stops on copper plumbing.

INCLUDES

The Original D'MAND KONTROLS® System Standard package comes with:

- (1) Small Mounting Bracket (2) Custom Stainless Steel Retrofit Tees (2) 18 3/4" FIP Flex Lines

DIMENSIONS



APPLICATIONS

Stainless Steel Flex Lines are compatible with all ACT Inc., D'MAND Kontrols® Systems.

(Models: ACT1, C3-100, S3-100 and SS3-200).

These are for INDOOR USE ONLY and cannot be used in areas that may have direct exposure to water or extreme heat.

WARRANTY

Accessories: Hardwired Buttons, Wireless Transmitters and Receivers, all Hardwired or Wireless Motion Sensors and Receivers: Warranty (One Year from date of purchase) Labor is not included with Limited Warranty. In order to obtain services under this warranty, it is the responsibility of the purchaser to promptly notify the Company in writing and promptly deliver the item in question, delivery prepaid to the factory. The address for notification and delivery is ACT, Inc. D'MAND KONTROL® Systems, 3176 Pullman Street, Suite 119, Costa Mesa CA 92626. If the product or part in question contains no defects as covered in the warranty, the purchaser will be notified and billed for parts and labor charges in effect at the time of the factory examination and repair.